

GigEPRO

Compact Vision Solution with integrated Image Processing

TECHNICAL DATA

Camera model	Sensor	Resolution [px]	Frames per second	Format	Shutter
GP1041M	Monochrome	752 x 480 / WVGA	64	1/3"	global
GP1041C	Color	752 x 480 / WVGA	64	1/3"	global
GP4136M	Monochrome	1280 x 1024 / SXGA	61	1/1.8"	global; rolling; global reset
GP4136IR	Monochrome / NIR	1280 x 1024 / SXGA	61	1/1.8"	global; rolling; global reset
GP4136C	Color	1280 x 1024 / SXGA	61	1/1.8"	global; rolling; global reset
GP4206M	Monochrome	1600 x 1200 / UXGA	52	1/1.8"	global; rolling; global reset
GP4206C	Color	1600 x 1200 / UXGA	52	1/1.8"	global; rolling; global reset
GP2239M	Monochrome	1920 x 1200 / WUXGA	50	1/1.2"	global
GP2239C	Color	1920 x 1200 / WUXGA	50	1/1.2"	global
GP2238M	Monochrome	1920 x 1200 / WUXGA	38	1/1.2"	global
GP2238C	Color	1920 x 1200 / WUXGA	38	1/1.2"	global
GP1305C	Color	2048 x 1536 / QXGA	12	1/2"	rolling
GP2507M	Monochrome	2448 x 2048 / QSXGA	22	2/3"	global
GP2507C	Color	2448 x 2048 / QSXGA	22	2/3"	global
GP1503M	Monochrome	2592 x 1944 / QSXGA	14	1/2.5"	rolling with global reset
GP1503C	Color	2592 x 1944 / QSXGA	14	1/2.5"	rolling with global reset
GP11004M	Monochrome	3840 x 2748 / WQUXGA	7	1/2.3"	rolling with global reset
GP11004C	Color	3840 x 2748 / WQUXGA	7	1/2.3"	rolling with global reset

Lens mount	C, CS
Scanning system	Progressiv
Trigger	External, software, timer based, counter based
Strobe	Sensor, trigger, software, timer based, counter based
Interface	Gigabit Ethernet according to GigE Vision standard / 1 Gbps
Dimensions (WxHxD) [mm]	30 x 30 x 56
Weight [g]	68
Power consumption [W]	2.5 to 4 (hardware specific)
Operating temperature [°C]	0 to +45
Power supply	PoE or 9-24VDC on AUX connector
Cable connector	8 pin (9-24 VDC + digital I/O)
Digital input/output	Opto decoupled (3.3 to 24 V), single input (hardware trigger), dual output (hardware strobe)

GigEPRO

Compact Vision Solution with integrated Image Processing

MACHINE VISION

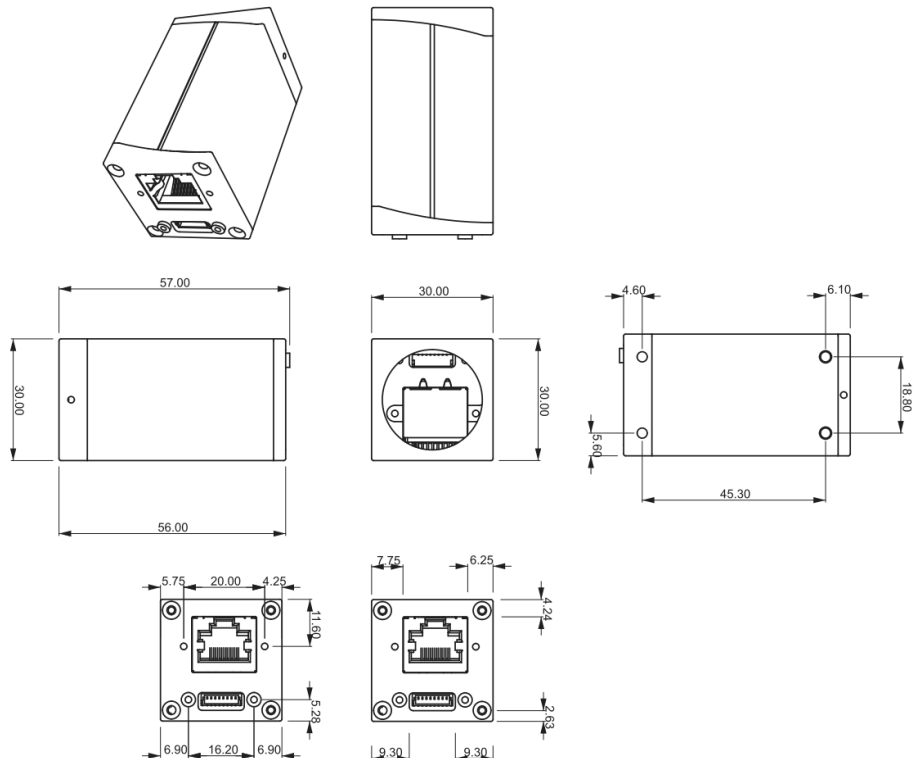
NET LIBRARY OPTIONS

Function	FPGA Option ¹⁾	Basic (LX45)		Standard (LX75)		Advanced (LX100)	
		Color	Mono	Color	Mono	Color	Mono
Color Calibration		✓		✓		✓	
5x5 De-Bayering		✓		✓		✓	
Frame Transfer Request		✓	✓	✓	✓	✓	✓
Geometrical Correction (GC)				✓	✓	✓	✓
Flatfield Correction (FFC)				✓	✓	✓	✓
Defect Pixel Correction (DPC)				✓	✓	✓	✓
Bayer Channel Compensation (BCC)			✓		✓		✓
Canny Edge Detection				✓	✓	✓	✓
2D Down Scaling				✓	✓	✓	✓
High Dynamic Range (HDR) ²⁾				✓	✓	✓	✓

1) DDR3 memory size: LX45 = 1 GB, LX75 = 2 GB, LX100 = 4 GB

2) for GP2239C/M

LAYOUT



Unit: mm